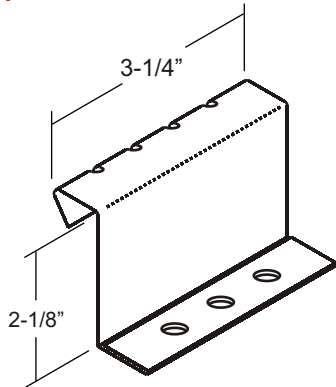




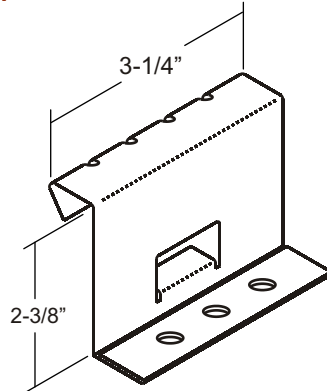
ML200 Panel Accessories Guide

Clip 40



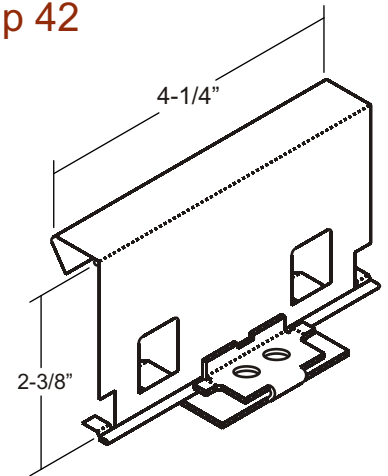
ML200 Clip 40
Fixed clip, 22 gauge Galvanized
For use with panel lengths 30 feet and less

Clip 41



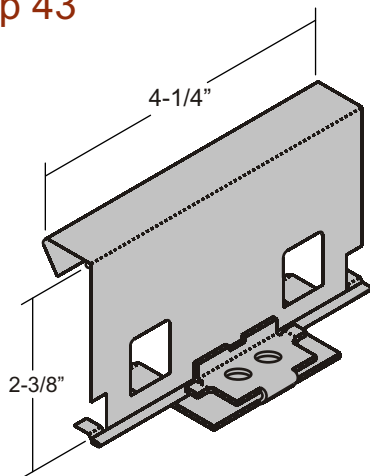
ML200 Clip 41
Fixed clip w/ 3/8" standoff, 22 ga. Galvanized
For use with panel lengths 30 feet and less

Clip 42



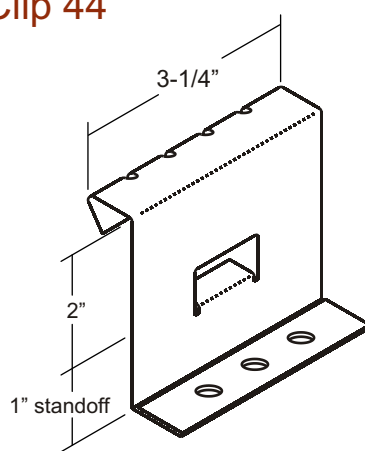
ML200 Clip 42
Expansion Clip w/ 3/8" standoff, 22 ga. Galv.
Provides up to 2 inches of thermal movement

Clip 43



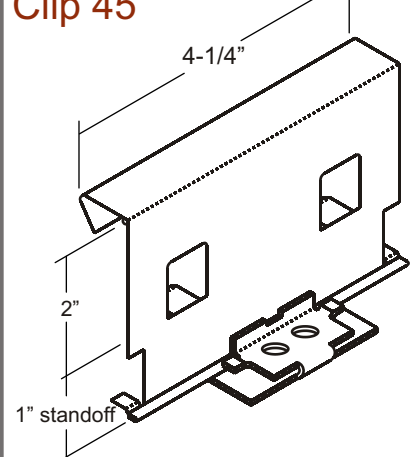
ML200 Clip 43 - Stainless Steel
Expansion Clip w/ 3/8" standoff, 22 ga. S.S.
Provides up to 2 inches of thermal movement

Clip 44



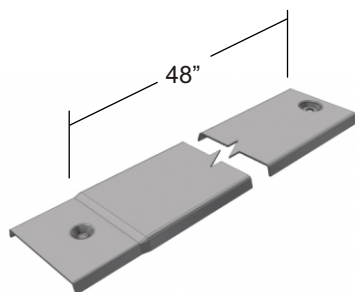
ML200 Clip 44
Fixed clip w/ 1" standoff, 22 gauge Galvanized
For use with panel lengths 30 feet and less

Clip 45



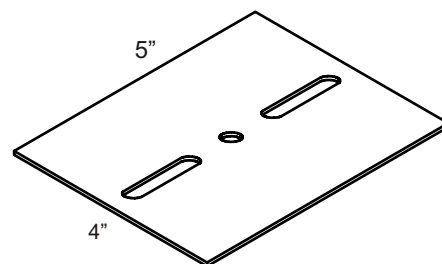
ML200 Clip 45
Expansion clip w/ 1" standoff, 22 ga. Galv.
Provides up to 2 inches of thermal movement

Backup Channel



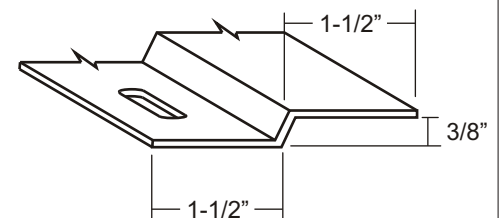
BP148 Backup Channel
3" wide x 48" long, 16 gauge Galvanized
Provides support at panel ends and splices

Bearing Plate



Bearing Plate
4" x 5", 16 gauge Galvanized
For use under clips applied over rigid insulation

Perimeter Plate

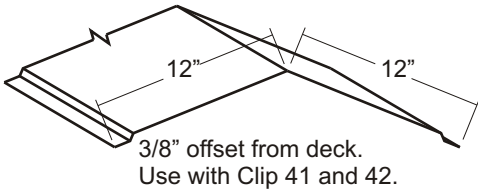


Floating Perimeter Plate - Low
3/8" high x 10'-0" long, 16 gauge Galvanized
Use with Clip 41 & Clip 42 w/ 3/8" standoff



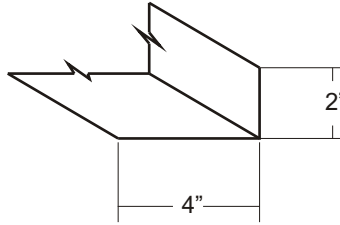
ML200 Panel Accessories Guide

Hip/Ridge Backup Plate



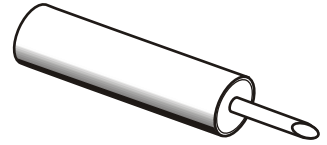
Hip/Ridge Backup Plate
12" x 12", 20 gauge Galvanized x 10'-0" long
Use to fix panel ends over rigid insulation

Backup Angle



Backup Angle
2" x 4", 20 gauge Galvanized x 10'-0" long
Use as backup support for open framing dtls.

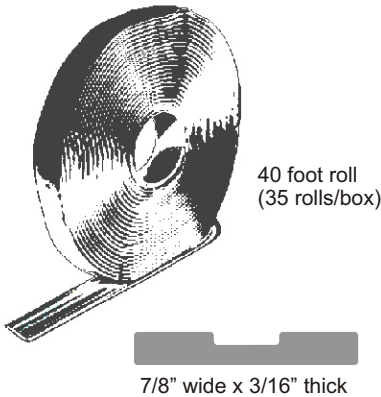
Tube Sealant



- Ultra 1000 Sealant** (Required for Weather-tight warranty applications)
Colors: Translucent, Gutter Gray, Dark Bronze, White, Sandstone, Red, Green
- Geocel 2300** Tripolymer
Color: Clear
- Polyurethane**
Color: Gray

Tube Sealant
10 oz. tube (estimate 25 lf/tb at 1/4" bead)

Tape Sealant



Double Bead Butyl Tape Sealant
7/8" wide x 3/16" thick x 40 foot roll
For use under offset cleats and zee closures

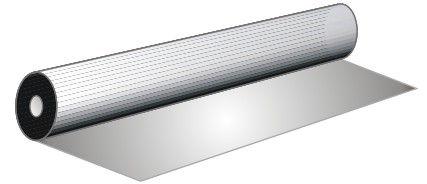
Touch-Up Paint



- 2 oz. can for Kynar colors
- 0.6 oz. bottle for SMP colors

Air Dry Touch-Up Paint
To touch-up small scratches and abrasions
Note: Color match with roof is not guaranteed

Repel™ Underlayment

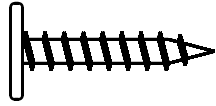


Repel™ Synthetic Underlayment
48" wide x 250' long rolls (10 squares/roll)



ML200 Panel Accessories Guide

Pancake Wood Screw

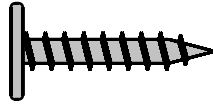


- #10-12 x 1" long
- #10-12 x 1-1/2" long
- #10-12 x 2" long
- #10-12 x 2-1/2" long
- #10-12 x 3" long

#10-12 Pancake Head Wood Screw

Zinc plated, Quadrex bit
For attachment of clips and flashings to wood

Stainless Pancake Screw

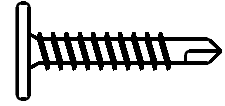


Recommended for use with aluminum panels

#10-12" Pancake Head Wood Screw

Stainless Steel, Quadrex Bit
For attachment of clips and flashings to wood

Pancake Head Self-Driller



- #10-16 x 1" long
- #12-14 x 1" long

#10-16 or #12-14 Self-Drilling Screw

Zinc Plated, Quadrex bit
For attachment of clips and flashings to steel

Deck Screw



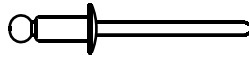
- #14-13 x 1-1/2" long
- #14-13 x 2" long
- #14-13 x 3" long
- #14-13 x 4" long
- #14-13 x 5" long
- #14-13 x 6" long
- #14-13 x 7" long
- #14-13 x 8" long
- #14-13 x 9" long

For use with steel or wood decks. Can be used with aluminum panels

#14-13 Pancake Head DP1 Screws

Tri-Seal™ coating, Square drive bit
To attach clips over rigid insulation into deck

Pop Rivet

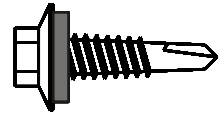


- #1/8 x 3/16" long, Plain or Painted

Pop Rivet, 1/8" Diameter x 3/16" Grip

Stainless Steel Rivet and Mandrel
For sheet metal joining. Pre-drill w/ 1/8" hole.

Lap Tek

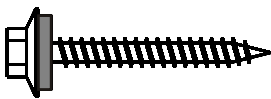


- #1/4-14 x 7/8" long, Plain or Painted

1/4"-14 x 7/8" SD Lap Tek Screw

5/16" HWH w/ washer, Zinc Plated
For sheet metal joining

HWH Wood Screw

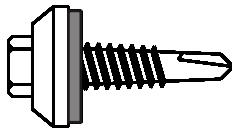


- #10-14 x 1" long, Plain or Painted
- #10-14 x 1-1/2" long, Plain or Painted
- #10-14 x 2" long, Plain or Painted
- #10-14 x 2-1/2" long, Plain or Painted
- #10-14 x 3" long, Plain or Painted

#10-14 Wood Screw

1/4" HWH w/ washer, Zinc Plated
To attach sheet metal components to wood

Long-Life Lap Tek

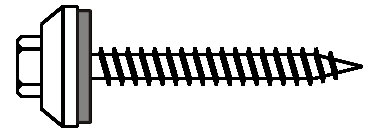


- #1/4-14 x 7/8" long, Plain or Painted

1/4" x 7/8" SD Ultimate® Lap Tek Screw

5/16" HWH Zinc Alloy Head w/ washer
For sheet metal joining

Long-Life HWH Wd Screw



- #10-14 x 1" long, Plain or Painted
- #10-14 x 1-1/2" long, Plain or Painted
- #10-14 x 2" long, Plain or Painted
- #10-14 x 2-1/2" long, Plain or Painted

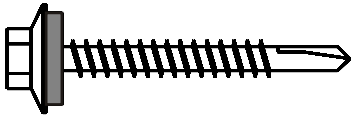
#10-14 Ultimate® Wood Screw

5/16" HWH Zinc Alloy Head w/ washer
To attach sheet metal components to wood



ML200 Panel Accessories Guide

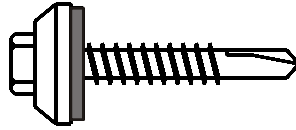
HWH Self-Drilling Screw



- #12-14 x 1" long, Plain or Painted
- #12-14 x 1-1/4" long, Plain or Painted
- #12-14 x 1-1/2" long, Plain or Painted
- #12-14 x 2-1/2" long, Plain or Painted

#12-14 Drill Point #2 (DP2)
5/16" HWH w/ washer, Zinc Coated
To attach sheet metal components to steel

Long-Life HWH SD Screw



- #12-14 x 1-1/4" long, Plain or Painted

#12-14 Ultimate® Drill Point #2 (DP2) Screw
5/16" HWH Zinc Alloy Head w/ washer
To attach sheet metal components to steel

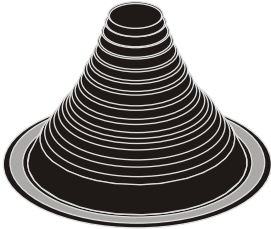
HWH Self-Drilling Screw



- #12-14 x 1" long, Plain
- #12-14 x 1-1/2" long, Plain

#12-14 Drill Point #2 (DP2) Screw
5/16" HWH (No Washer), Zinc Coated
For attachment of structural members to steel

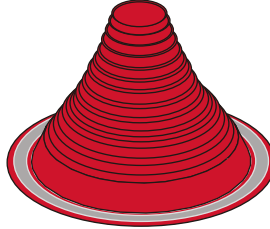
Pipe Boot



- #3 Boot - Fits 1/4" to 5" diameter (8" base)
- #4 Boot - Fits 3" to 6" diameter (9-1/2" base)
- #5 Boot - Fits 4" to 7" diameter (11" base)
- #6 Boot - Fits 5" to 9" diameter (12-3/4" base)

Pipe Boot, Black EPDM
For use with pipe penetrations

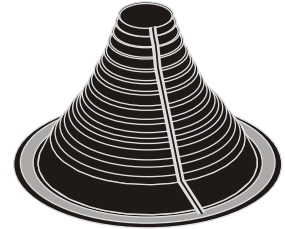
High Temp. Pipe Boot



- #3 Boot - Fits 1/4" to 5" diameter (8" base)
- #4 Boot - Fits 3" to 6" diameter (9-1/2" base)
- #5 Boot - Fits 4" to 7" diameter (11" base)
- #6 Boot - Fits 5" to 9" diameter (12-3/4" base)

High Temp. Pipe Boot, Orange Silicone
For high temperature pipe penetrations

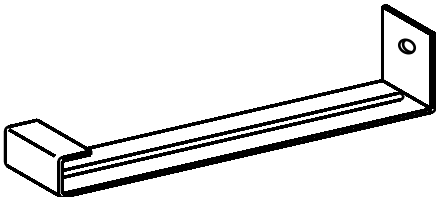
Retrofit Pipe Boot



- #1 Boot - Fits 3/4" to 2-3/4" diameter
- #2 Boot - Fits 2" to 7-1/4" diameter
- #3 Boot - Fits 3-1/4" to 10" diameter

Retrofit Pipe Boot, Black EPDM
For use with "wrap-around" applications

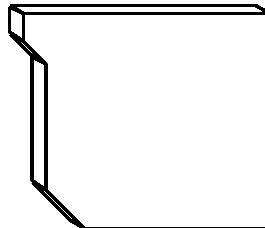
Gutter Hanger



- 5" Hidden Gutter Hanger
- 6" Hidden Gutter Hanger
- 7" Hidden Gutter Hanger
- 8" Hidden Gutter Hanger

Hidden Gutter Hanger, 18 ga. Galvanized
For use with GT## gutter profiles

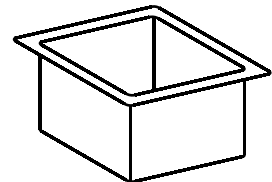
Gutter End Cap



- 5" End Cap, Left and Right
- 6" End Cap, Left and Right
- 7" End Cap, Left and Right
- 8" End Cap, Left and Right

Gutter End Caps (match gutter material)
For use with GT## gutter profiles

Outlet Tube



- 3" x 4"
- 4" x 5"
- Custom Size: _____

Downspout Outlet Tube (match gutter matl.)
For use with rectangular downspouts